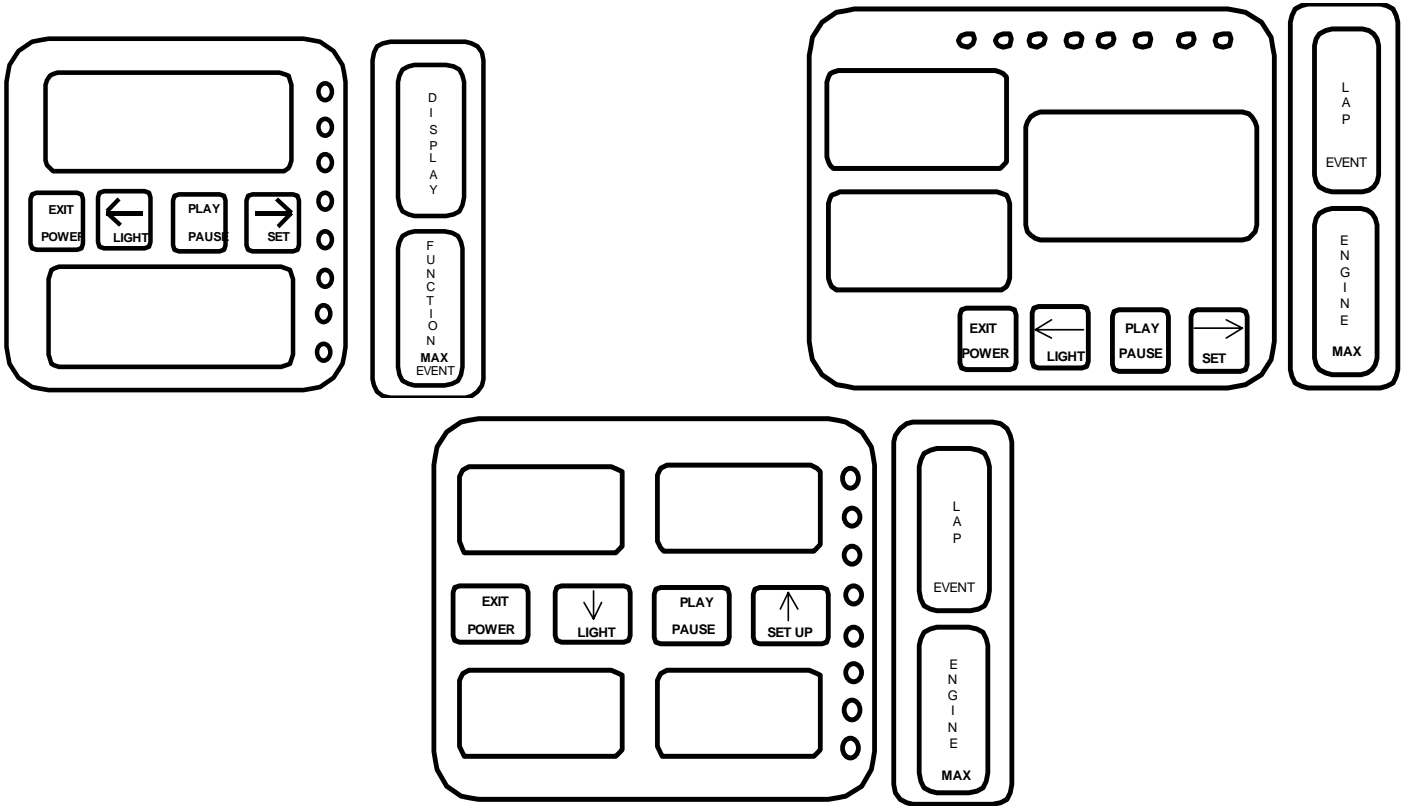


Note: These instructions cover current versions. If you have an older version, and find the instructions don't exactly match, please contact Digatron at support@digatronusa.com or toll free at 866.344.2876.



DT-50K Instructions

Table of Contents

Welcome to Digatron.....	1
Instrument Functions.....	2 - 3
Battery Installation.....	4
Setting Limits and Warning Lights.....	4
Setting the Engine Limits and Delay Time.....	4
About Delay Time.....	5
Tach Calibration Number.....	5
MPH Calibration Number.....	5 - 6
Setting the LED Warning Lights.....	7
PC Software: Set Up & Analysis.....	8
Recording.....	8
Moisture.....	8
Erratic Readings.....	8
Button Functions.....	9
Designators Defined.....	10
Repairs and Warranty.....	10

Welcome to Digatron

This manual covers the operation of your DT-50K instrument. This includes any 52, 53 or 54 instrument. All 50 series instruments function the same; the only difference is the number of displays.

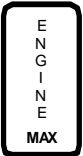

Both racers and recreational riders can use this instrument. Racers may be interested in recording in time segments, either laps or sections of the strip or course. Recreational drivers will usually be interested in recording without time segments. This book provides the information you need to quickly set up and use your instrument. It is a great reference guide. If you are interested in learning more about how your Digatron instrument can help you analyze your engine functions and driving techniques, please visit our website, www.digatronusa.com, or phone (509) 467-3128

Instrument Functions


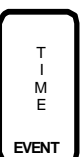
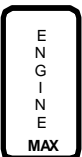
A. Power/Record

Start Vehicle. Instrument turns on and starts recording automatically when a tach signal is received. Records for 2 hours, then records over oldest data.


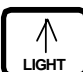
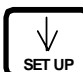


B. Overall Maximums

1.  Press and hold.
2.  Press and release to cycle through up to three sets of engine data.
3. Repeat steps 1 & 2 as desired.






C. Best Lap Time

1.  Displays lap time. DT-54: shows best lap time.
- 1A.  DT-52 & DT-53: Press and hold to view best lap time.
2.  Returns to engine data.








D. Lap Times (Time Segments)

1.  Shows lap time for the last recorded lap. Laps are created with a beacon transmitter and receiver or manual store switch.
2.  OR  Changes lap backward or forward one. Displays flash when your best lap is shown.
3.  DT-52 & DT-53: Press and hold to view best lap time.
4.  Return to monitor / record mode.




E. Maximums by Lap (If recording laps)

1. Select a lap. See [D. Lap Times](#)
 2.  Displays engine data, showing maximum values for this lap. 2A.  Displays lap data. Press and hold to view Event number.
 3.  OR  Changes lap backward or forward one. Displays flash when your best lap is shown.
 4.  Return to monitor / record mode.
-


F. Playback

1. Select a lap. See [D. Lap Times](#)
 2.  Press to view engine data.
 3.  Begins playback of selected segment. Pause and resume playback with each press.
 4.  If paused, steps through data in 0.1 second increments. If not paused, press and hold to fast forward.
 5.  If paused, reverse steps through data in 0.1 second increments. If not paused, press to reverse. Hold for fast reverse.
 6.  Press and release to cycle through up to three sets of engine data. 6A.  Displays lap data.
 7.  Press once to return to [D. Lap Times](#). Press again to return to monitor/ record mode.
-

G. Reset (clear memory)

1.  And  Press at same time.
 2.  Press when display flashes. Canceled if not pressed within 10 seconds.
-

H. Power Off

1.  Turns instrument off if it is not recording or receiving a tach signal.

OR

The instrument will turn off automatically if it does not receive any button presses or a tach signal.

Battery Installation

Two AAA batteries power the DT-50K. These allow the instrument to run for 40 hours with the backlight on and 150 hours with the backlight off. The instrument will display $\square \square$, signaling that the batteries are low, several hours before the functions becomes inaccurate.

To replace the batteries, remove the screw from the battery door on the back of the instrument. Replace the two batteries, observing battery polarity.

If your instrument is stored for a long period of time, remove the batteries.


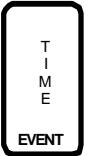

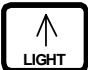

Setting Limits and Warning Lights

Limits and warning lights warn you of conditions that could be harmful to your vehicle's engine. They should be set at levels that allow you to react to the visual warnings before engine damage occurs.

There are two ways to set your limits and warning lights:

- ◆ **With Your Instrument** (see below).
- ◆ **With Your PC**, download cable and configuration software (page 11).

Setting the Engine Limits and Delay Time

-  From monitor/record, instrument enters Set Up menu. SEL will flash on display.
-  With SEL flashing, press either side button to enter Set Engine Limits. Delay time will be displayed, see next page for explanation.
-  Press either button to change the number being displayed. Hold the button to change the number faster.
-  Press either button to set next limit. Repeat steps 3 & 4 until all limits and calibration numbers are set.
-  Press once to return to Set Up menu.
Press again to return to monitor/ record mode.

Function limits are set in the following order: Delay Time, Temp1 (C1), Temp2 (C2), Temp3 (C3), Temp4 (C4), Tach (RPM), Tach calibration number, MPH limit and MPH calibration number (minus any functions that you do not have). Also, if you are not using any functions on your instrument, set its limit to any number greater than 200.

About Delay Time (Optional, for Racing)

Some sanctioning bodies do not allow racers to use infrared beacon transmitters and receivers. If this is true for you, set your delay time to .1.

The delay time allows your instrument to ignore extra infrared beacon signals at the track. Delay time is the time, in tenths of a second, that your instrument ignores beacon signals after receiving a signal. The delay time must be less than your best possible time between beacons, or the instrument will miss your beacon signal. Delay time is set in 5E1 of Set Up mode.

For example, if it takes you approximately 14 seconds to complete a run, set your delay number for 13 or 12 seconds. After your instrument receives its first beacon signal, it will ignore all signals for 13 or 12 seconds.

*Note: If you are not a racer, set your delay time to .1.

Tach Calibration Number (RPM1)

The Tach limit requires two separate parameters. The first is the maximum revolutions per minute (RPM) for safe engine operation. The second number, the Tach calibration, allows the instrument to display the correct RPM for your engine. The instrument divides the Tach input signal by the Tach calibration number. This number can be .5 to 31.

The most frequently used numbers are:

- 1 - for single cylinder 2 cycle and most 4 cycle motors
- 2 - for 2 cylinder 2 cycle and 4 cylinder 4 cycle motors

If you are unsure of the exact Tach calibration number for your engine, experiment. If your calibration number is currently set at 1 and the RPM displayed is double what it should be, set the calibration number to 2.

MPH Calibration Number

Your MPH calibration number is set based on your tire circumference and the number of objects being sensed. You can calculate your MPH calibration number using the following technique or use the chart on page 9.

Tire circumference is used for the MPH calibration number when one object is sensed per tire revolution. If more than one object is sensed, divide the tire circumference by a number equal to the number of objects. For example, if you are sensing six nuts on a tire rim, divide your tire circumference by six. For best results, it is recommended to sense one object for every 12" to 24" inches of tire circumference.

To measure your tire's circumference, place a drop of oil on the top of the tire to be measured. With the driver in the kart, push the kart forward at least one complete revolution of the tire. Now measure from the center of one oil spot to the center of the next oil spot. This is your tire circumference; round it to the nearest tenth of an inch.



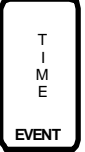
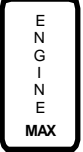



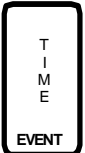
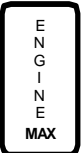

The tire circumference, divided by the number of items being sensed, is your MPH calibration number.

Note: Tire circumference will increase from 2% to 4% during a race depending on how hot the day is. For highest accuracy, add approximately 3% to your tire circumference to account for expansion.

	MPH Cal. Number Table					
Tire Circ	1 input	Digatron collar 2 inputs	3 inputs	4 inputs	5 inputs	6 inputs
33.5	34.5	17.3	11.5	8.6	6.9	5.8
33.625	34.6	17.3	11.5	8.7	6.9	5.8
33.75	34.8	17.4	11.6	8.7	7.0	5.8
33.875	34.9	17.4	11.6	8.7	7.0	5.8
34	35.0	17.5	11.7	8.8	7.0	5.8
34.125	35.1	17.6	11.7	8.8	7.0	5.9
34.25	35.3	17.6	11.8	8.8	7.1	5.9
34.375	35.4	17.7	11.8	8.9	7.1	5.9
34.5	35.5	17.8	11.8	8.9	7.1	5.9
34.625	35.7	17.8	11.9	8.9	7.1	5.9
34.75	35.8	17.9	11.9	8.9	7.2	6.0
34.875	35.9	18.0	12.0	9.0	7.2	6.0
35	36.1	18.0	12.0	9.0	7.2	6.0
35.125	36.2	18.1	12.1	9.0	7.2	6.0
35.25	36.3	18.2	12.1	9.1	7.3	6.1
35.375	36.4	18.2	12.1	9.1	7.3	6.1
35.5	36.6	18.3	12.2	9.1	7.3	6.1
35.625	36.7	18.3	12.2	9.2	7.3	6.1
35.75	36.8	18.4	12.3	9.2	7.4	6.1
35.875	37.0	18.5	12.3	9.2	7.4	6.2
36	37.1	18.5	12.4	9.3	7.4	6.2

Setting the LED Warning Lights

Multiple warning lights can be set to the same function, but only one function can be set to a light.

1.  From monitor/record, instrument enters Set Up menu. SEL will flash on the display.
 2.  SLL will flash on the display.
 3.  O R  With SLL flashing, press either button to enter Set LED Warning Lights.
 4.  Changes the function the light will correspond to.
 5.  O R  Press either button to change the number being displayed. Hold the button to change the number faster.
 6.  O R  Press either button to set next light. Repeat steps 4 - 6 until all lights are set.
 7.  Press once to return to Set Up menu. Press again to return to monitor/ record mode.
-

PC Software: Set Up & Analysis

All limits and warning lights can be set on your PC with our configuration software. This software also allows you to change which function is displayed in each window. Recorded information can be downloaded to a PC. The instrument must be in Monitor/Record mode, with no Tach signal when hooked up to a computer. **The instrument does NOT need sensors hooked up.** Download the software from www.digatronusa.com. Attach the download cable to the white connector on your instrument. Attach the other end to any serial port on your PC. Then follow the computer's instructions.

Recording

The instrument records in sessions called Events (shown by an **E**), which start each time the instrument begins recording. Within Events, time segments (Laps, **L** on the display) are created with infrared beacon receivers and transmitters or with a store switch. To end an Event your engine must be turned off, the *Exit* button must be pressed, or the Tach must go below 200 RPM (this value can be changed on your PC).

Moisture

Your instrument is designed to be water resistant. We recommend keeping it as dry as possible. Please cover or remove your instrument before washing your vehicle. Digatron offers tach bags to help keep the instrument dry. If moisture does get inside the instrument, remove the endcap without switches and let the instrument air out in a dry environment. A hairdryer, on low power, can accelerate drying.

Erratic Readings

If the instrument encounters excessive electrical interference it will display ERR on the left side of the top display. The stored data might be invalid, and may need to be erased.

To erase your stored data, see Reset on page 4.

The ERR enunciator can also indicate an incorrect instrument or sensor installation. If your instrument is doing strange things, put it in Set Limits and check to see that the limits and calibration number(s) are still where you set them (see page 5).

Installing a resistance plug boot can normally solve electrical interference problems. We recommend using an NGK boot, # LB05EMH.

To avoid erratic readings:

- ◆ Keep your temperature and Tach leads separated by at least 3".
- ◆ Route the leads as far away from the coil as possible.
- ◆ Install the Tach lead on the plug wire at least 2" back from the plug boot. If you still have a problem, try a different location on the plug wire.
- ◆ Make sure your tach sensor ground wire is attached to bare metal.
- ◆ Replacing one or all of your sensors often solves this problem.

Please contact Digatron if your problem continues.

Button Functions

Lap (top, side button) (2) functions

- A. Displays lap time and number.
- B. Press and hold to show best lap time.

Engine (bottom, side button) (2) functions

- A. Cycles between up to three sets of data.
- B. Press and hold to show maximums and designators.

Power / Exit (2) functions

- A. Turns the instrument on and off.
- B. Exits Set Up and Playback modes.

← / Light (2) functions

- A. Press and hold to dim warning lights, and turn backlight on and off.
- B. Decreases values in Set Up and Playback.

→ / Set Up (2) functions

- A. Enter Set Up.
- B. Increases values in Set Up and Playback.

Play / Pause (2) functions

- A. Press for lap times, lap maximums and playback.
- B. Pauses and resumes playback.

Reset Instrument Erases recorded data and for troubleshooting.

- A. Press **Play / Pause** and **→** at the same time.

Then press **Play / Pause** within

Designator Definitions

The following is a list of designators that can appear in the main part of your display:

- SEL select this to set your engine limits
- LL select this to set your warning lights
- NONE displayed if the **Play** button is pressed and there is no recorded data
- OFF displayed if a warning light is set to not come on
- CAL displayed when setting the Tach or MPH calibration number
- LoB displayed if your batteries are low
- RESET PLAY during a reset of memory, press the **Play** button to proceed with reset
- CLR displayed if a reset of memory was successful
- no CLR displayed if a reset of memory is not successful
- LLP last lap time
- CLP current lap time
- BLP best lap time
- DIS lap distance
- HRS total hours
- ODO odometer
- REC displayed when recording and the **Play** button is pressed
- RUN displayed if the engine is on when trying to enter Playback
- PC displayed when the instrument is communicating with your PC
- CH1 CH2 Channel 1, Channel 2, which are temp1 and temp2 respectively
- when shown on the top of a display, the function is over ranging. when shown on the bottom of a display, the function is under ranging

The following is a list of enunciators that can appear on the side of your displays. These show what function is in the display:

- | | | | |
|-----|---------------------------|-----|-------------------|
| RPM | tach | MPH | miles per hour |
| CHT | cylinder head temperature | EGT | exhaust gas temp. |
| MEM | memory | ERR | error |

Repairs and Warranty Information

If you have any questions about the operation of your instrument, please call. One of our technicians will be happy to help you. Please have your instrument nearby to help while troubleshooting with the technician.

With the exception of physical damage and normal wear, there will be no charge for service required on internal parts for two years from date of purchase and for external parts for one year. Be sure to fill out and return your warranty card for our records. If we do not have a card on file for your instrument, you will be charged for repairs unless you can provide us with a proof of purchase date.

When returning an instrument for repair, please use the repair form found on our website or enclose a note indicating your return address, phone number and a detailed description of the problem. Send your instrument and sensors so that we can check the complete system.

Send repairs to:

Digatron LLC

8102 N. Freya St.

Spokane, WA 99217-8044

www.digatronusa.com

Phone: (509) 467-3128 Fax: (509) 467-2952

2/22/2005